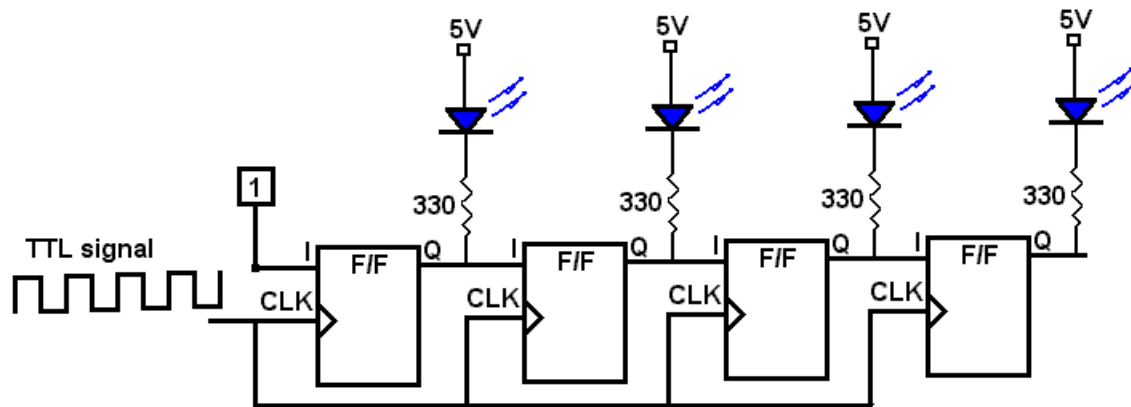


Electronics Lab

Shift register and divider

Experiment 1: 4-bit shift register.

- Connect the circuit shown in the figure:

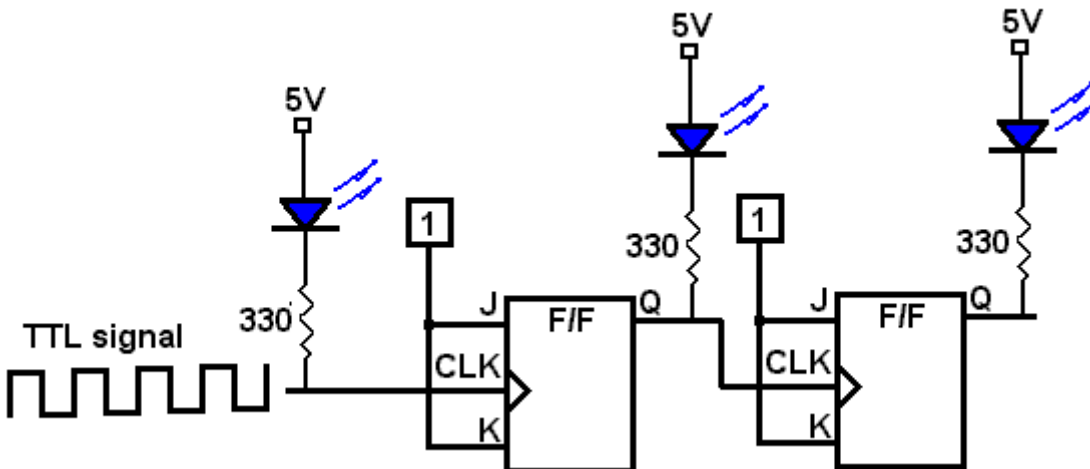


- Switch the input from the first flip flop from 1 to 0 and observe the shifting of the 4-bit register controlled by the clock signal.

- Connect the clock signal manually to 5 V and use it to store a 4-bit binary number in the register.

Experiment 2: Divider by 2 and 4.

- Connect the circuit shown in the figure:



- Adjust the frequency of the signal generator to be able to observe the original signal and the division by 2 and 4.

Variation to Experiments 1 and 2: Connect all the circuits of your classmates in series with yours to generate a register of 4bits \times (# of groups) and division by $2^{2(\text{\# of groups})}$